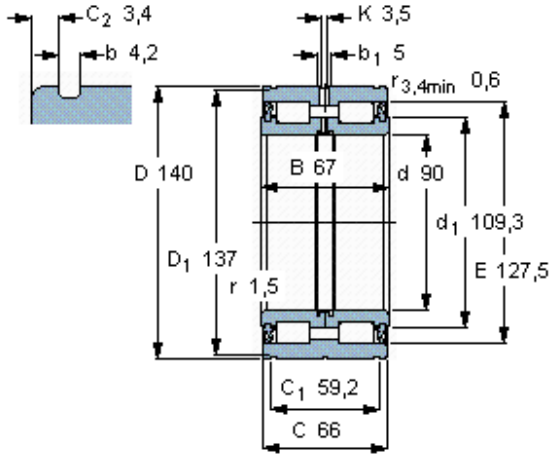


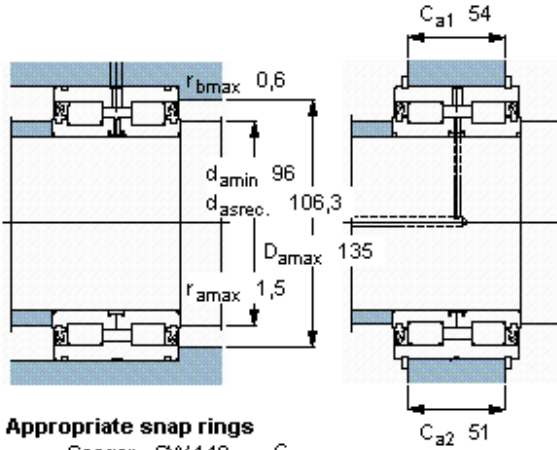
Cylindrical roller bearings, double row full complement

Principal dimensions			Basic load ratings		Speed ratings		Designation
d	D	B	dynamic C	static C0	Reference speed	Limiting speed	
mm			kN		r/min		-
90	140	67	319	550	-	900	NNF 5018 ADB-2LSV



**Calculation factor**

$k_r$  0,4



**Appropriate snap rings**

Seeger SW 140  $C_{a1}$   
 DIN 471 140x4  $C_{a2}$